

PRODUCT INFORMATION SHEET

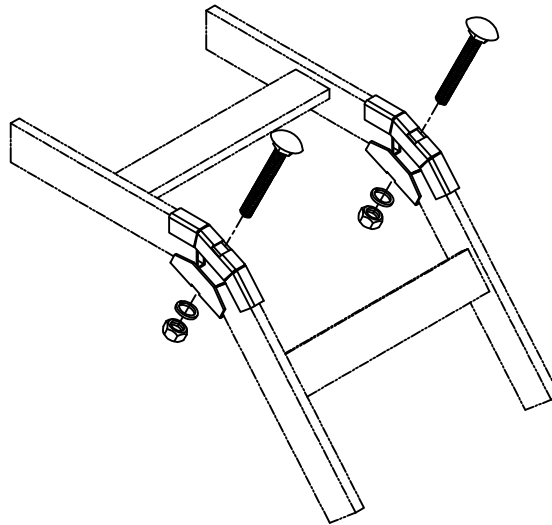
45° SPLICE KIT

The 45° splice kit is used to fasten cable runway sections at a 45° angle.

Kit consists of:

- * (2) 45° splice clamps (outside)
- * (2) inside clamps
- * (2) $\frac{3}{8}$ "-16 bolts
- * (2) $\frac{3}{8}$ "-16 hex nuts
- * (2) $\frac{3}{8}$ " split lock washers

Part Number	COLOR
LRA2EK45-BK1	BLACK
LRA2EK45-GR1	ANSI 61 GRAY



WWW.PRECISIONENCLOSURES.COM

PES

PRECISION ENCLOSURE SYSTEMS

© 2008 PRECISION ENCLOSURE SYSTEM, INC. REV. C