

# PRODUCT INFORMATION SHEET

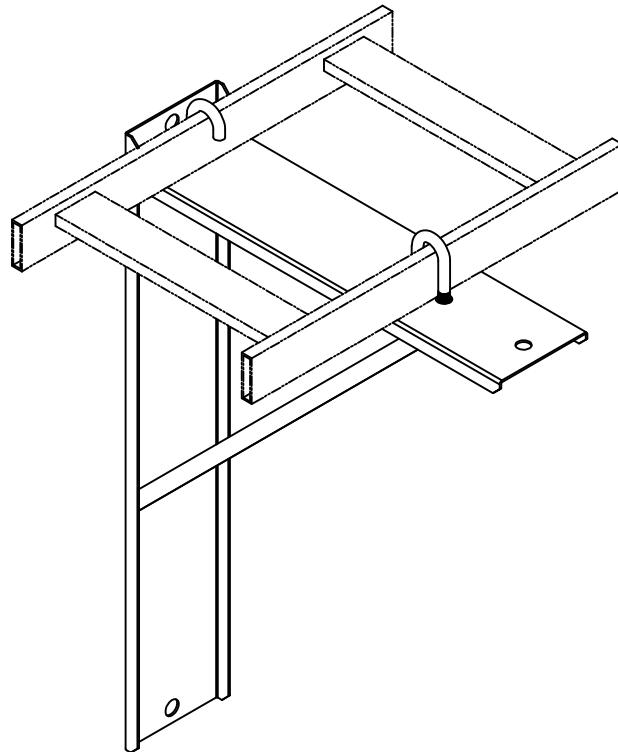
## TRIANGLE SUPPORT BRACKET

The triangle support bracket provides wall support for cable runway.

Kit consists of:

- \* (1) triangle bracket
- \* (2)  $\frac{5}{16}$ -18 x 2  $\frac{1}{4}$  J-bolt
- \* (2)  $\frac{5}{16}$ -18 hex nuts

| Part Number | COLOR        |
|-------------|--------------|
| LRA12WT-BK1 | BLACK        |
| LRA18WT-BK1 | BLACK        |
| LRA24WT-BK1 | BLACK        |
| LRA12WT-GR1 | ANSI 61 GRAY |
| LRA18WT-GR1 | ANSI 61 GRAY |
| LRA24WT-GR1 | ANSI 61 GRAY |



[WWW.PRECISIONENCLOSURES.COM](http://WWW.PRECISIONENCLOSURES.COM)

# PES

PRECISION ENCLOSURE SYSTEMS

© 2008 PRECISION ENCLOSURE SYSTEM, INC. REV. C