

PRODUCT INFORMATION SHEET

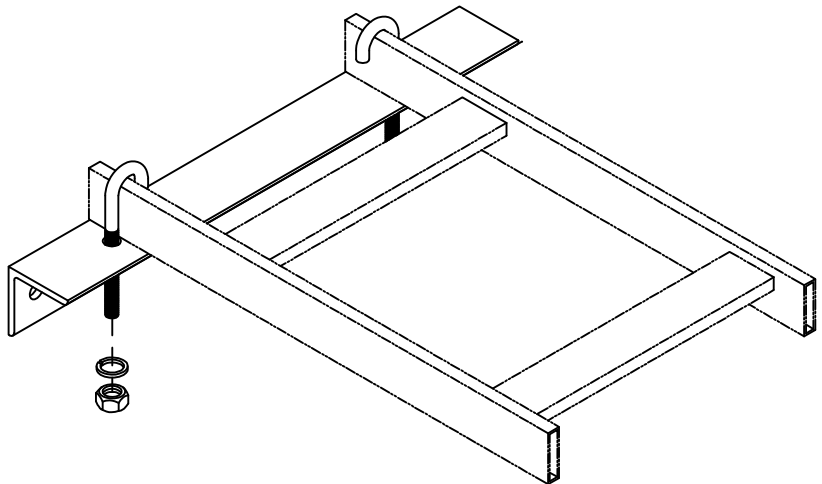
WALL ANGLE SUPPORT BRACKET

The wall angle support bracket provides perpendicular wall support for cable runway.

Kit consists of:

- * (1) wall angle bracket
- * (2) $\frac{5}{16}$ -18 x 2 $\frac{1}{4}$ J-bolt
- * (2) $\frac{5}{16}$ -18 hex nuts
- * (2) $\frac{5}{16}$ split lock washers

| Part Number | COLOR |
|-------------|--------------|
| LRA12WA-BK1 | BLACK |
| LRA18WA-BK1 | BLACK |
| LRA24WA-BK1 | BLACK |
| LRA12WA-GR1 | ANSI 61 GRAY |
| LRA18WA-GR1 | ANSI 61 GRAY |
| LRA24WA-GR1 | ANSI 61 GRAY |



WWW.PRECISIONENCLOSURES.COM

PES

PRECISION ENCLOSURE SYSTEMS

© 2008 PRECISION ENCLOSURE SYSTEM, INC. REV. C