

PRODUCT INFORMATION SHEET

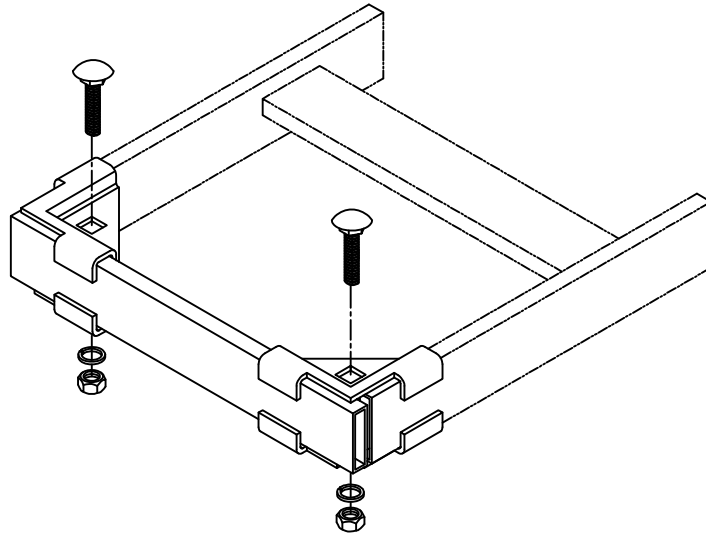
RUNWAY TERMINATION KIT

The runway termination kit is used to close unspliced cable runway.

Kit consists of:

- * (1) end closing bar
- * (4) corner clamps
- * (2) 1/8"-16 bolts
- * (2) 1/8"-16 hex nuts
- * (2) 8-16 split lock washers

Part Number	COLOR
LRA09TK-BK1	BLACK
LRA12TK-BK1	BLACK
LRA15TK-BK1	BLACK
LRA18TK-BK1	BLACK
LRA24TK-BK1	BLACK



WWW.PRECISIONENCLOSURES.COM

PES

PRECISION ENCLOSURE SYSTEMS

© 2008 PRECISION ENCLOSURE SYSTEM, INC. REV. C