

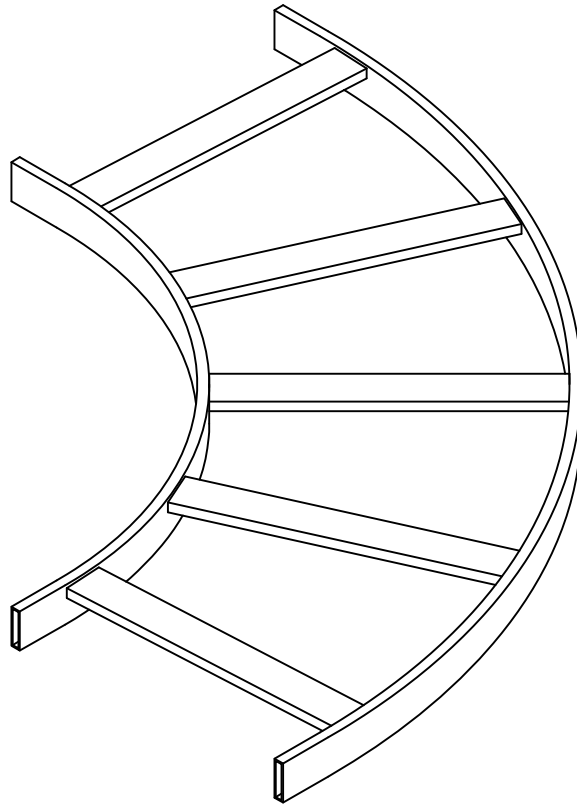
PRODUCT INFORMATION SHEET

HORIZONTAL E-BEND

The horizontal E-bend is used to create a 90° sweep in the horizontal plane for cable runway.

- * Made of lightweight $1\frac{1}{2} \times \frac{3}{8}$ tubular steel.
- * Designed to conform with minimum cable bend radius requirements.
- * Easy installation using butt splice kit.
- * Available in 12" and 18" wide.
- * 9", 15" and 24" wide available (special order).

Part Number	COLOR
LR12HRE-BK1	BLACK
LR18HRE-BK1	BLACK
LR12HRE-GR1	ANSI 61 GRAY
LR18HRE-GR1	ANSI 61 GRAY



WWW.PRECISIONENCLOSURES.COM

PES

PRECISION ENCLOSURE SYSTEMS

© 2008 PRECISION ENCLOSURE SYSTEM, INC. REV. C